

MATERIAL SPECIFICATIONS:

Body & Housing: PA, UL-94V-HB / UL-94V-0 rated, color black
 Contacts: Brass, Gold plated

MECHANICAL SPECIFICATIONS:

Contacts: 8
 Durability: >5000 mating cycles.
 Cable Diameter: 2.5 - 8mm
 Wire gauge: 24AWG max.

ELECTRICAL SPECIFICATIONS:

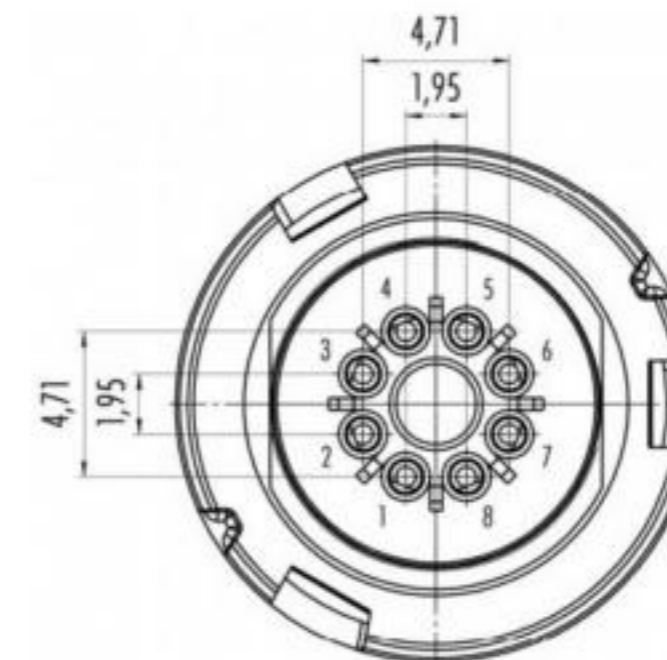
Rated current: 2A per contact
 Rated voltage: 175V
 Contact resistance: <15 mohms
 Rated impulse voltage: 1750V

IEC/UL 61010-1 SPECIFICATIONS:

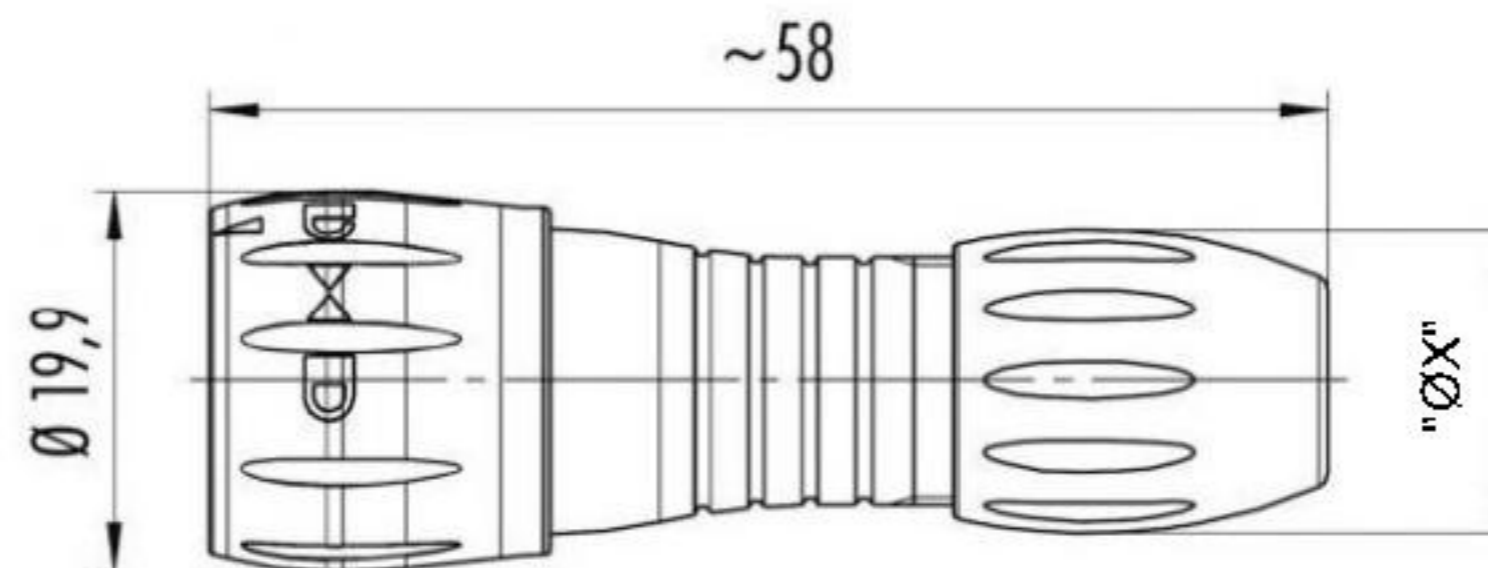
Material group: I, II
 Overload category: II
 Pollution degree: 2

ENVIRONMENTAL SPECIFICATIONS:

Degree of Protection: IP67 when mated
 Operating Temperature: -25°C ~ +85°C



| | X | Y |
|---|-------|-------|
| 1 | -0,98 | -2,36 |
| 2 | -2,36 | -0,98 |
| 3 | -2,36 | 0,98 |
| 4 | -0,98 | 2,36 |
| 5 | 0,98 | 2,36 |
| 6 | 2,36 | 0,98 |
| 7 | 2,36 | -0,98 |
| 8 | 0,98 | -2,36 |



RoHS
COMPLIANT

| REV | DATE | CHANGE | CHK | CHK | APPR |
|-----|------|--------|-----|-----|------|
| | | | | | |

| P/N | CABLE DIAMETER | Ø X |
|---------------|----------------|------|
| PD-HEC2-MCC-4 | 2.5 ~ 4mm | 16mm |
| PD-HEC2-MCC-6 | 4 ~ 6mm | 16mm |
| PD-HEC2-MCC-8 | 6 ~ 8mm | 19mm |

| | |
|---|----------------|
| TOLERANCE UNLESS OTHERWISE SPECIFIED | |
| X | ± 1 |
| X.X | ± 0.4 |
| X.XX | ± 0.13 |
| DRAWN BY: PB | DATE: 10/27/14 |
| CHECK BY: | DATE: |
| APPR. BY: | DATE: |

Power Dynamics, Inc.
 Phone: 973 660-0019 Whippany, New Jersey Fax: 973 660-0076

PART: HARSH ENVIRONMENT CONNECTOR
 SERIES 2 MALE CABLE CONNECTOR

PD-HEC2-MCC-X

PART #: PD-HEC2-MCC-X SHEET 1 of 1

SIZE: A ALL DIMENSIONS FOR REFERENCE ONLY
 SCALE: NTS DIMENSIONS ARE IN MILLIMETERS

REV: